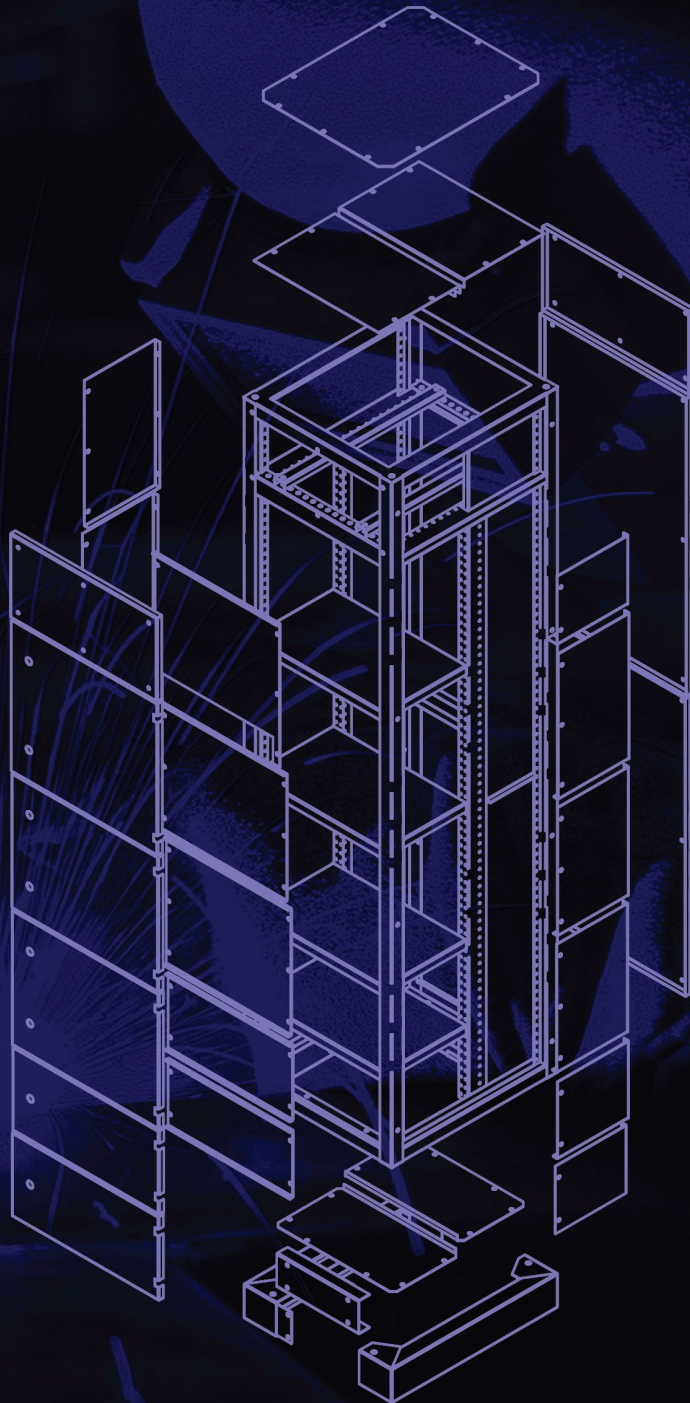




AL INSHRAH

INDUSTRY L.L.C.



CONNECTING THE WORLD
WWW.ALINSHRA.COM

Al Inshrah, primarily a switchgear trading company and an instrumentation and signage manufacturer has been in the UAE since 1985. We have been part of almost every large project in the UAE and GCC, supplying them with industrial and architectural identification and signage. With the expanding GCC market, we have diversified into many fields including metal fabrication, commercial & retail signage and most recently manufacturing of enclosures to cater to our already vast customer base and to build new relationships.

We have a dedicated group of engineers, technicians and a skilled workforce which will cater to any technical requirements in terms of design & fabrication, installation & maintenance. We also have a team specializing in engineering software and their proficiency always helps our clients to achieve the most economical engineering solution. We combine the excellence of technology with sound engineering skills that result in greater quality fabrication services, management and delivery. Our systems and software are flexible to handle various requirements from small gang boxes to large Form 4 enclosures.



01 Wall Mounted Enclosure



02 Floor Standing Enclosure



03 Enclosure Extendable Cabinets



04 Modular DB



05 Single Wall Aluminium Enclosure



06 Double Wall Aluminium Enclosure



07 Human Machine Interface/Control Desk



08 Form 3 & 4 Switchgear Enclosure



09 Battery Cabinet



10 Open Battery Rack & Stand



11 Stainless Steel Enclosure IP65, IP66





- Metal Enclosure with Reversible Door.
- Powder Coated RAL 7032.
- Concealed Hinges and Safety Lock.
- Steel Mounting Plate Powder Coated.
- Cable Entry Opening with Gland Plate and Sealing Joint.
- For Installation of Electrical Protection and Control Components and Devices.
- Interior and Exterior Wall Mounting.
- Protection against Water and Dust. (IP65)

SPECIFICATIONS OPTIONS

Box body thickness	1, 1.2 or 1.5mm
Door thickness	1.2, 1.5 or 2mm
Mounting plate thickness	1.5 or 2mm
Coating thickness	90 micron
Color and Texture	RAL 7032 textured RAL 2000 (Mounting plate)

DIMENSIONS

Height:	400 to 1400mm
Width:	300 to 1200mm
Depth:	200 to 350mm

APPLICATIONS

Final or Sub-main Electrical distribution in residential industrial and commercial buildings.

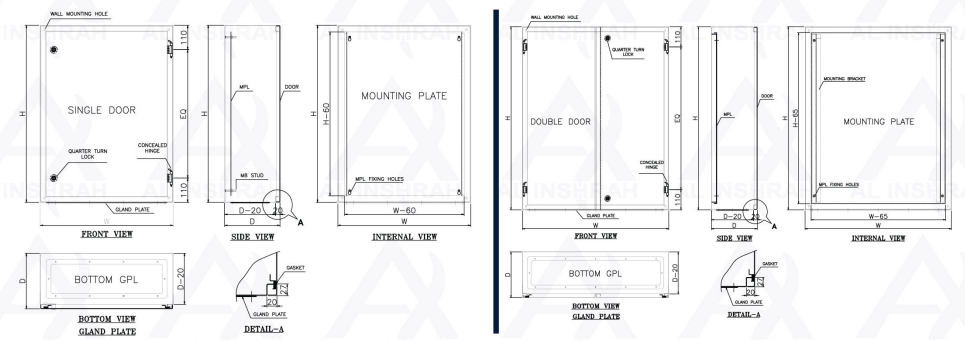
STANDARDS

IP 65 as per IEC 60529

OPTIONS

The SIWM is available in several options:
 SIWM-S or SIWM-SS in Stainless steel 304 or 316.
 SIWM-Al in Aluminum.
 SIWM/D with Inner Door.
 SIWM/C with Canopy.
 SIWM/W with Polycarbonate Door.
 SIWM/P with Pole Mounting Arrangement.
 SIWM/Din with Din Rail Chassis and inner Cover.
 SIWM/G with Top and Bottom Entries.

DRAWINGS



SELECTION CHART

REFERENCE	H mm	W mm	D mm	GPL No.	Doors No.	Locks No.
SIWM403020	400	300	200	1	1	1
SIWM604020	600	400	200	1	1	2
SIWM606020	600	600	200	1	1	2
SIWM705020	700	500	200	1	1	2
SIWM806020	800	600	200	1	1	2
SIWM808020	800	800	200	1	1	2
SIWM108020	1000	800	200	1	1	2
SIWM806025	800	600	250	1	1	2
SIWM808025	800	800	250	1	1	2
SIWM106025	1000	600	250	1	1	2
SIWM108025	1000	800	250	1	1	2
SIWM101025	1000	1000	250	2	1	2
SIWM128025	1200	800	250	1	1	2
SIWM808030	800	800	300	1	1	2
SIWM108030	1000	800	300	1	1	2
SIWM128030	1200	800	300	1	1	2
SIWM121030	1200	1000	300	2	1	2
SIWM148030	1400	800	300	1	1	2
SIWM141030	1400	1000	300	2	1	2
SIWM141230	1400	1200	300	2	2	3p
SIWM121035	1200	1000	350	2	1	2
SIWM121235	1200	1200	350	2	2	3p
SIWM148035	1400	800	350	1	1	2
SIWM141035	1400	1000	350	2	1	2
SIWM141235	1400	1200	350	2	2	3p



- Metal Enclosure with Reversible Door.
- Powder Coated RAL 7032.
- Concealed Hinges and Swing Handle Lock.
- Steel Mounting Plate Powder Coated.
- Cable Entry Opening with Gland Plate and Sealing Joint.
- Installation of Electrical Protection and Control Components and Devices.
- Interior and Exterior Floor Standing.
- Protection against Water and Dust. (IP55)

SPECIFICATIONS OPTIONS

Galvanized sheet steel coated with oven-baked epoxy paint.
 Box body thickness 1.5 or 2mm
 Door thickness 2mm
 Mounting plate thickness 2mm
 Coating thickness 90 micron
 Color and Texture RAL 7032 textured
 RAL 2000 (Mounting plate)

DIMENSIONS

Height: 1400 to 1800mm
 Width: 600 to 1200mm
 Depth: 400mm

APPLICATIONS

Main or Sub-main Electrical distribution in industrial and commercial buildings

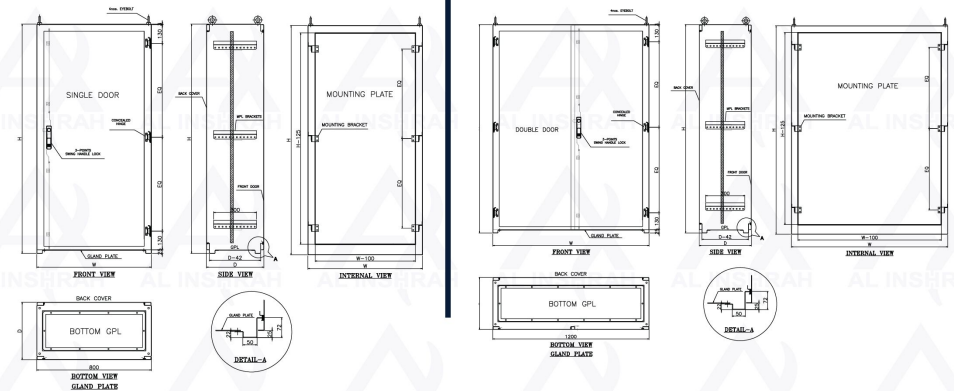
STANDARDS

IP 55 as per IEC 60529

OPTIONS

SIFS-S or SIFS-SS in Stainless steel 304 or 316
 SIFS-Al in Aluminum
 SIFS/D with Inner Door
 SIFS/C with Canopy
 SIFS/W with Polycarbonate Window
 SIFS/G with Top and Bottom Entries

DRAWINGS



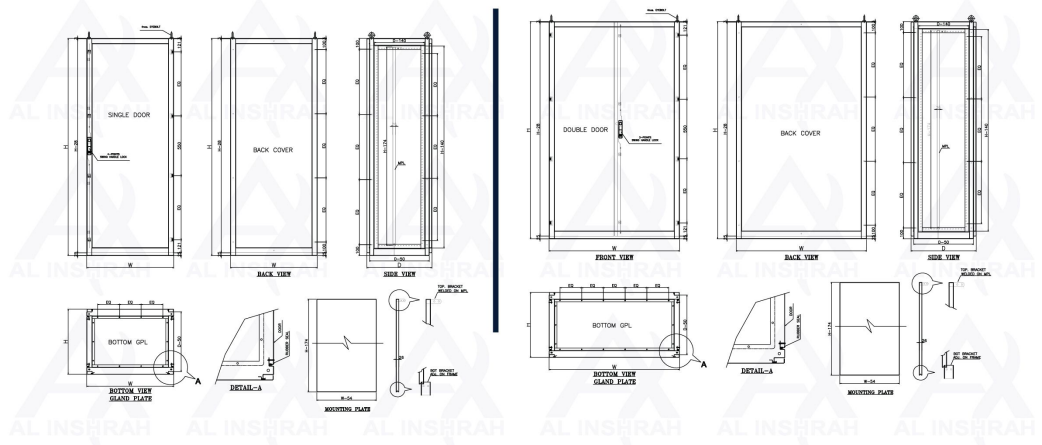
SELECTION CHART

REFERENCE	H mm	W mm	D mm	GPL No.	Doors No.	Locks No.
SIFS166040	1600	600	400	1	1	4p
SIFS168040	1600	800	400	1	1	4p
SIFS161040	1600	1000	400	1	1	4p
SIFS161240	1600	1200	400	2	2	3p
SIFS186040	1800	600	400	1	1	4p
SIFS186040	1800	800	400	1	1	4p
SIFS181040	1800	1000	400	1	1	4p
SIFS181240	1800	1200	400	2	2	3p



- Steel Enclosure Frame with Reversible Door, Top and Back Panels.
- Powder Coated RAL 7032.
- Semi Concealed Hinges and Swing Handle Lock.
- Steel Mounting Plate Powder Coated.
- Cable Entry Opening with Gland Plate and Sealing Joint.
- Installation of Electrical Protection and Control Components and Devices.
- Interior and Exterior Floor Standing.
- Set of 2 Side Panels sold separately.

DRAWINGS



SELECTION CHART

REFERENCE	H mm	W mm	D mm	GPL No.	Doors No.	Locks No.
SIEC206060	2000	600	600	1	1	4p
SIEC208060	2000	800	600	1	1	4p
SIEC201060	2000	1000	600	1	1	4p
SIEC201060	2000	1200	600	2	2	3p
EXC80 - 2006	2000	600	800	1	1	4p
SIEC208080	2000	800	800	1	1	4p
SIEC201080	2000	1000	800	1	1	4p
SIEC201280	2000	1200	800	2	2	3p
SIEC60 - 2P20 Set of 2 Side Panels	2000		600			
SIEC80 - 2P20 Set of 2 Side Panels	2000		800			

SPECIFICATIONS OPTIONS

- Galvanized sheet steel coated with oven-baked epoxy paint.
- Frame thickness 2 mm
- Door and panels thickness 2mm
- Mounting plate thickness 2mm
- Coating thickness 90 micron
- Color and Texture RAL 7032 textured
- RAL 2000 (Mounting plate)

DIMENSIONS

- Height: 2000mm
- Width: 600 to 1200mm
- Depth: 600 to 800mm

APPLICATIONS

Sub-main or Main Form2 Electrical distribution in residential, industrial and commercial buildings.

STANDARDS

IP 55 as per IEC 60529

OPTIONS

- SIEC-S or SIEC-SS in Stainless steel 304 or 316.
- SIEC/D with Inner Door.
- SIEC/L with Shelves for Capacitor Banks.
- SIEC/W with Polycarbonate Window.



- Steel Distribution Panel Board with Cover and Door.
- Steel Mounting frame with Din Rails.
- Flush or Surface wall mounting.
- Powder Coated RAL 7035.
- Concealed Hinges and Latch.
- Cable and Conduits Entries from Top and Bottom Knockouts.
- Installation of Modular Electrical Protection and Control Components.

SPECIFICATIONS OPTIONS

Galvanized sheet steel coated with oven-baked epoxy paint.
 Box body thickness 1 to 1.2mm
 Door thickness 1.2 to 1.5mm
 Mounting frame thickness 1.5mm
 Coating thickness 90 micron
 Color and Texture RAL 7035 textured

DIMENSIONS

Height: 320 to 1,070 mm
 Width: 465 for 16 modules / row.
 620 for 24 modules / row.
 Depth: 110 mm

APPLICATIONS

Electrical distribution for residential, industrial and commercial markets.

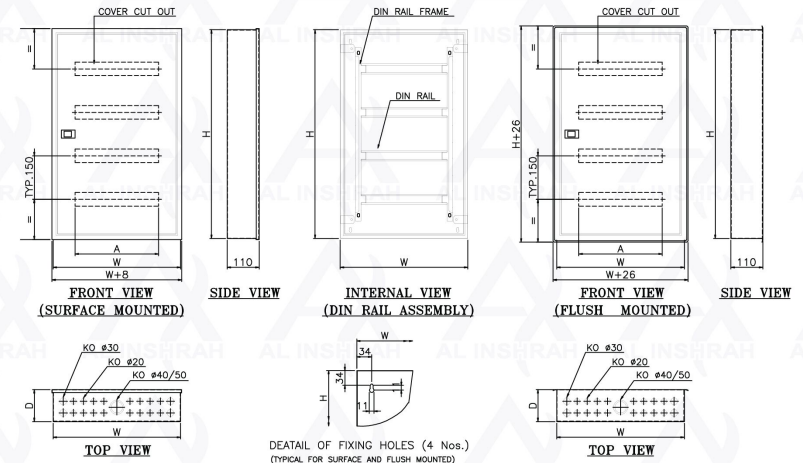
STANDARDS

IP 41 as per IEC 60529

OPTIONS

SIMD-S or EXC-SS in Stainless steel 304 or 316.
 SIMD/D with Inner Door.
 SIMD/L with Shelves for Capacitor Banks.
 SIMD/W with Polycarbonate Window.

DRAWINGS



SELECTION CHART

REFERENCE	H mm	W mm	Row No.	Ways No.
Flush Mounting Distribution Board				
SIMD11 - 116F	319	462	1	16
SIMD11 - 216F	469	462	2	32
SIMD11 - 316F	619	462	3	48
SIMD11 - 416F	769	462	4	64
SIMD11 - 516F	919	462	5	80
SIMD11 - 616F	1069	462	6	96
SIMD11 - 324F	619	607	3	72
SIMD11 - 424F	769	607	4	96
SIMD11 - 524F	919	607	5	120
SIMD11 - 624F	1069	607	6	144
Surface Mounting Distribution Board				
SIMD11 - 116S	300	446	1	16
SIMD11 - 216S	450	446	2	32
SIMD11 - 316S	600	446	3	48
SIMD11 - 416S	750	446	4	64
SIMD11 - 516S	900	446	5	80
SIMD11 - 616S	1050	446	6	96
SIMD11 - 324S	600	591	3	72
SIMD11 - 424S	750	591	4	96
SIMD11 - 524S	900	591	5	120
SIMD11 - 624S	1050	591	6	144



- Aluminum Enclosure Cabinet with Canopy, Plinth and Doors.
- Powder Coated RAL 7032.
- Lift-off Hinges and Swing Handle Lock.
- Steel Mounting Plate Powder Coated.
- Cable Entry Opening with Gland Plate and Sealing Joint.
- Installation of Electrical Protection Devices.
- Exterior Floor Standing.
- Protection against Water and Dust. (IP55)

SPECIFICATIONS OPTIONS

- Aluminum coated with oven-baked polyester paint.
- Box body thickness: 2 to 3mm
- Door thickness: 2 to 3mm
- Mounting plate thickness: 2 to 3mm
- Coating Thickness: 90 Micron
- Coating: RAL 7032 textured.

DIMENSIONS

- Height: 1000 to 1400mm
- Width: 750 to 1400mm
- Depth: 300 to 350mm

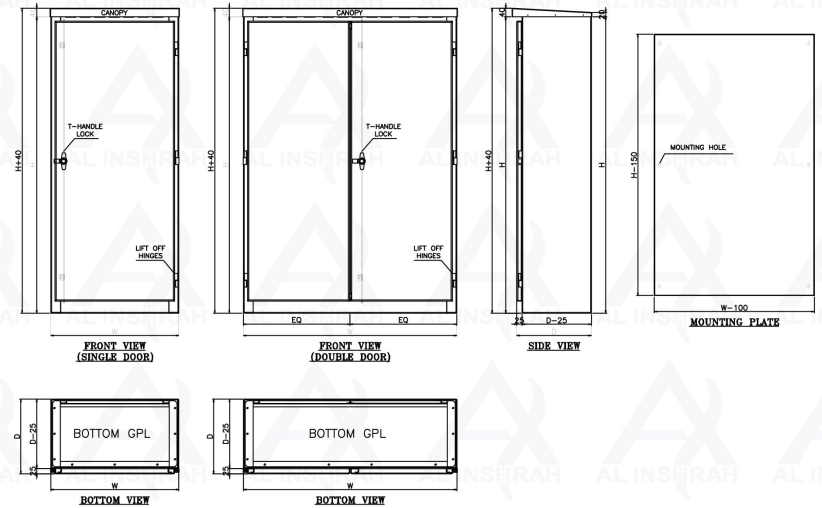
APPLICATIONS

Electrical distribution in Public Areas.

STANDARDS

IP 55 as per IEC 60529

DRAWINGS



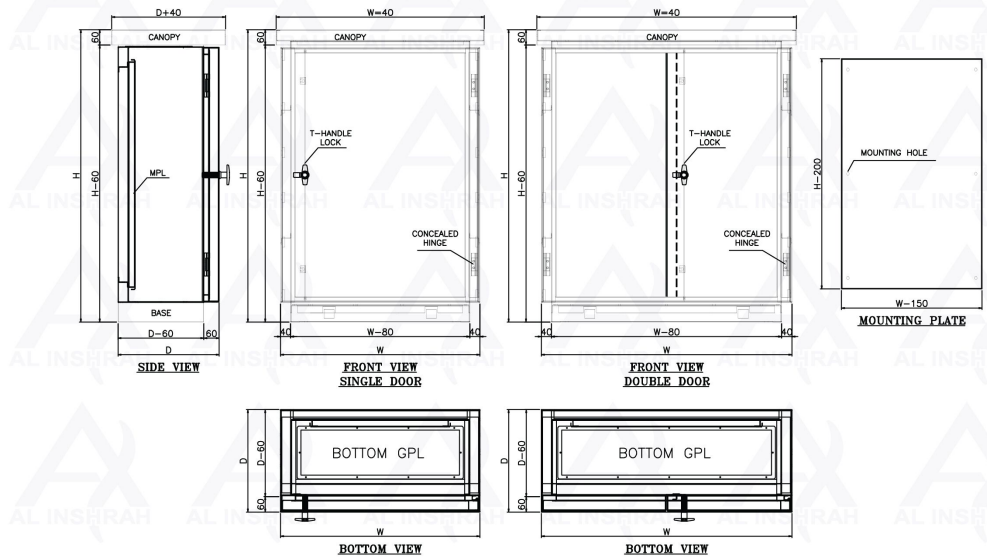
SELECTION CHART

REFERENCE	H mm	W mm	D mm	Doors No.	Locks No.
SISA107530	1000	750	300	1	2
SISA128030	1200	800	300	1	2
SISA121030	1200	1000	300	1	2
SISA121230	1200	1200	300	2	3P
SISA128030	1200	800	300	1	2
SISA121035	1200	1000	350	1	2
SISA121235	1200	1200	350	2	3P
SISA121435	1200	1400	350	2	3P
SISA141035	1400	1000	350	1	2
SISA141235	1400	1200	350	2	3P
SISA141435	1400	1400	350	2	3p



- Aluminum Double Wall Enclosure Cabinet with Canopy, Plinth and Doors.
- Powder Coated RAL 7032.
- Concealed Hinges and T Handle Lock.
- Steel Mounting Plate Powder Coated.
- Cable Entry Opening with Gland Plate and Sealing Joint.
- Installation of Electrical Protection and Control Devices.
- Exterior Floor Standing.
- Protection against Water and Dust. (IP55) or IP (65).

DRAWINGS



SELECTION CHART

REFERENCE	H mm	W mm	D mm	Doors No.	Locks No.
SIDA108030	1000	800	300	1	3P
SIDA128030	1200	800	300	1	3P
SIDA121030	1200	1000	300	1	3P
SIDA121230	1200	1200	300	2	3P
SIDA148035	1400	800	350	1	3p
SIDA141035	1400	1000	350	1	3P
SIDA141235	1400	1200	350	2	3P
SIDA147535	1400	750	350	2	3P
SIDA161035	1600	1000	350	1	3P
SIDA161235	1600	1200	350	2	3P
SIDA161435	1600	1400	350	2	3P
SIDA188040	1800	800	400	1	3P
SIDA181040	1800	1000	400	1	3P
SIDA181240	1800	1200	400	2	3P
SIDA181440	1800	1400	400	2	3P

SPECIFICATIONS OPTIONS

- Aluminum coated with oven-baked polyester paint.
- Box body outer wall thickness: 3mm
- Box body inner wall thickness: 2mm
- Door outer wall thickness: 3mm
- Door Inner wall thickness: 2mm
- Mounting plate thickness: 3mm
- Coating Thickness: 90 Micron
- Coating: RAL 7032 textured.

DIMENSIONS

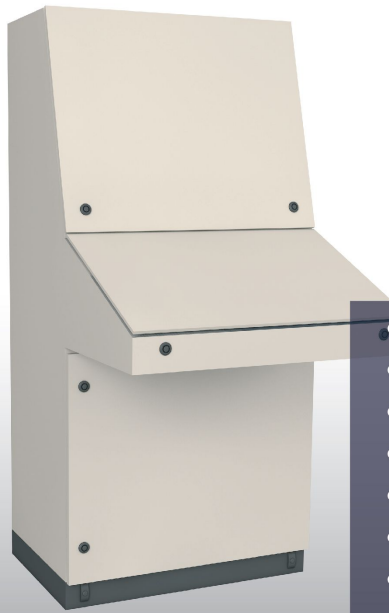
- Height: 1000 to 1400mm
- Width: 750 to 1400mm
- Depth: 300 to 350mm

APPLICATIONS

Electrical distribution in Public Areas.

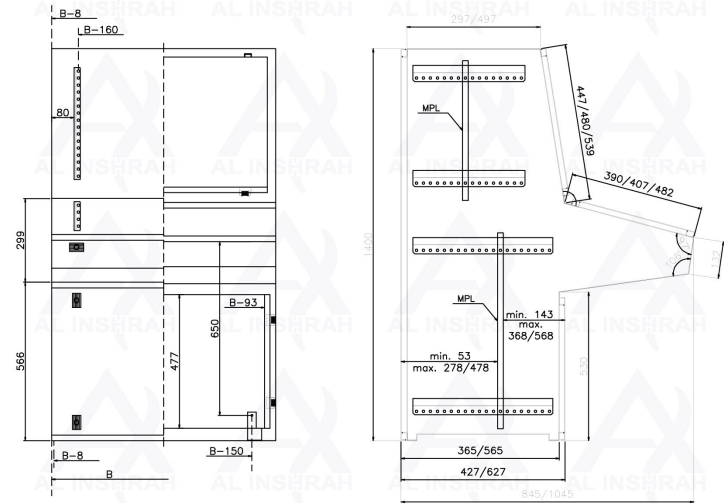
STANDARDS

IP 55 as per IEC 60529



- Floor Standing lower Cabinet with Desk and Top Cabinet.
- Concealed Hinges and Safety Locks for all Compartments.
- Steel Mounting Plates Powder Coated.
- Cable Entry Opening with Gland Plate and Sealing Joint.
- 100mm High Plinth.
- Installation of Electrical Control Components and Devices.
- Floor Standing.
- Protection against Water and Dust.

DRAWINGS



SELECTION CHART

REFERENCE	H mm	W mm	D mm
HISI106080	1000	600	800
HISI148080	1400	800	800
HISI141080	1400	1000	800
HISI141280	1400	1200	800
HISI141680	1400	1600	800
HISI148010	1400	800	1000
HISI141010	1400	1000	1000
HISI141210	1400	1200	1000
HISI141610	1400	1600	1000

SPECIFICATIONS OPTIONS

- Galvanized sheet steel coated with oven-baked epoxy paint.
- Box body thickness: 1.2 or 1.5mm
- Door thickness: 1.2, 1.5 or 2mm
- Mounting plate thickness: 2mm
- Coating thickness: 90 micron
- Color and Texture: RAL 7032 textured
- RAL 2000 (Mounting plate)

APPLICATIONS

Electrical control for LV and HV.

DIMENSIONS

- Height: 1000mm or 1400mm
- Width: 600mm to 1600mm
- Depth: 800mm or 1000mm

STANDARDS

IP 55 as per IEC 60529

- Enclosed busbars & risers in sheet steel compartments.
- Rear access construction with protective devices removable from the front.
- Versatile enclosure system allows future extension of switchboard.
- The busbar system is separated from functional units.
- All functional units are separated.
- Incoming and outgoing terminals are separated from busbars and from each other.
- Special dimensions to customer requirements.
- Powder Coated to RAL 7032.

SPECIFICATIONS & OPTIONS

Galvanized sheet steel coated with oven-baked epoxy paint.

Box frame thickness: 2mm

Doors and front covers thickness: 1,5 or 2mm

Back and side panels thickness: 2mm

Mounting plate thickness: 2mm

Plinth thickness: 2mm

Separations thickness: 1.5mm

Coating thickness: 90 micron

Color and texture: RAL 7032 textured.

DIMENSIONS

Height: 1800 to 2200mm

Width: 200 to 1000mm

Depth: 600 to 1000mm

Plinth: 50 to 100mm

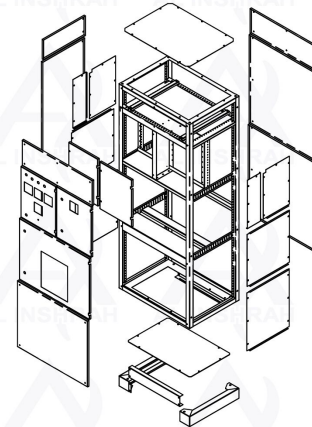
APPLICATIONS

Main Electrical distribution for residential industrial and commercial buildings and motor control.

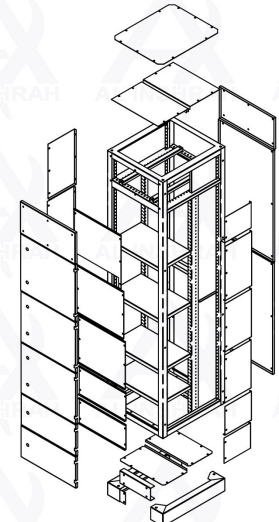
STANDARDS

IEC 60439-1

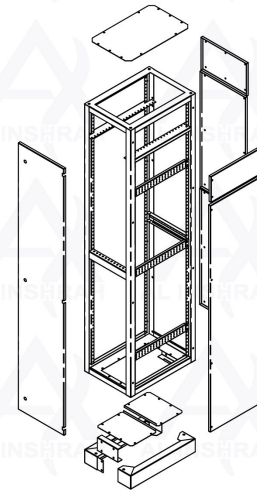
DRAWINGS



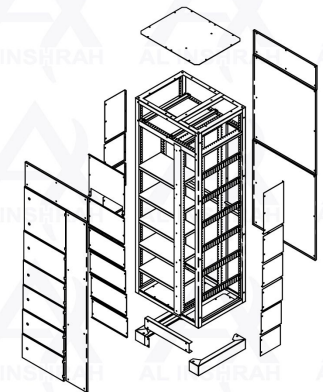
Incomer Section



Outgoing Section



Cable Chamber



Busbar Chamber

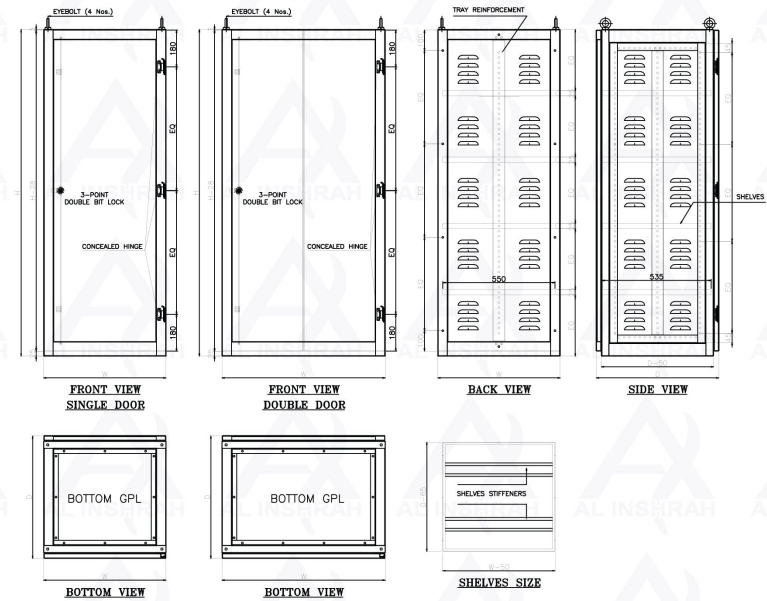
TYPES

- Incomer Section with ACB Stand and meters fixing arrangements. (FI & FIE).
- Busbar Chamber with Front Cover. (FBI & FBE).
- Outgoing Section with Mounting Plates and Front Doors. (FOI & FOE).
- Cable Chamber with Front Door. (FCI & FCE).
- Any other Section could be manufactured according to the customer's request.



- Steel Enclosure Frame with Door, Top and Back Panels.
- Louvers Ventilated Side Panels .
- Floor Mounting on 100mm plinth.
- Powder Coated RAL 7032.
- Concealed Hinges and Swing Handle Lock.
- Steel Shelves Powder Coated.
- Cable Entry Opening with Gland Plate and Sealing Joint.
- Installation of Batteries for Power Systems.

DRAWINGS



SELECTION CHART

REFERENCE	H mm	W mm	D mm	Shelves No.	Doors No.	Locks No.
SIBC206060	2000	600	600	4	1	3p
SIBC208060	2000	800	600	4	1	3p
SIBC201060	2000	1000	600	4	1	3p
SIBC201260	2000	1200	600	4	2	3p
SIBC206080	2000	600	800	4	1	3p
SIBC208080	2000	800	800	4	1	3p
SIBC201080	2000	1000	800	4	1	3p
SIBC201280	2000	1200	800	4	2	3p
SIBC206010	2000	600	1000	4	1	3p
SIBC208010	2000	800	1000	4	1	3p
SIBC201010	2000	1000	1000	4	1	3p
SIBC201210	2000	1200	1000	4	2	3p

SPECIFICATIONS OPTIONS

Galvanized sheet steel coated with oven-baked epoxy paint.
 Frame thickness: 2mm
 Door thickness: 2mm
 Shelves thickness: 2.5mm
 Coating thickness: 100 micron
 Color and Texture: RAL 7032 textured.
 Shelves Capacity: 800kg. / m2 of shelf

APPLICATIONS

Housing of Lead Acid Batteries for Power Systems such as UPS, DC, and Solar Systems.

DIMENSIONS

Height: 2000mm
 Width: 600 to 1200mm
 Depth: 600 to 1000mm

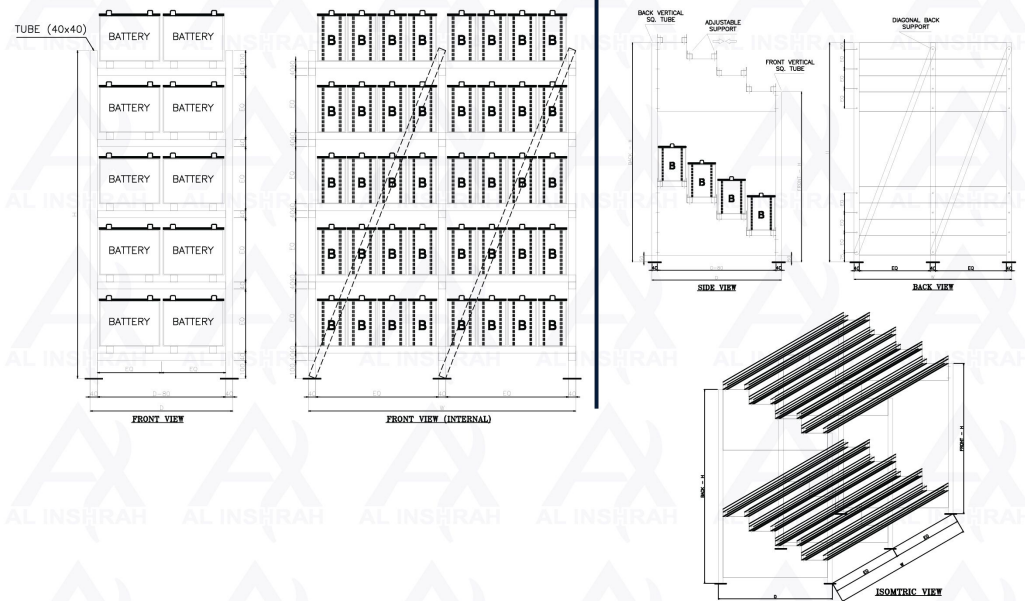
STANDARDS

IP 44 as per IEC 60529



- Steel Dismantled Rack to be Assembled at Site.
- MS Hollow Sections Construction.
- Floor Mounting on Base Plates.
- Powder Coated RAL 9005.
- Installation of Batteries for Power Systems.
- End Caps Tubes Closing.

DRAWINGS



SELECTION CHART

REFERENCE	H mm	W mm	D mm	Shelves No.
SIBR146060	1400	600	600	2
SIBR166060	1600	600	600	3
SIBR186060	1800	600	600	4
SIBR206060	2000	600	600	5
SIBR226060	2200	600	600	6
SIBR246060	2400	600	600	7
SIBR146080	1400	600	800	2
SIBR166080	1600	600	800	3
SIBR186080	1800	600	800	4
SIBR206080	2000	600	800	5
SIBR226080	2200	600	800	6
SIBR246080	2400	600	800	7
SIBR148010	1400	800	1000	2
SIBR168010	1600	800	1000	3
SIBR188010	1800	800	1000	4
SIBR208010	2000	800	1000	5
SIBR228010	2200	800	1000	6
SIBR248010	2400	800	1000	7

SPECIFICATIONS OPTIONS

Galvanized sheet steel coated with oven-baked epoxy paint.
 Frame thickness: 2mm
 Door thickness: 2mm
 Shelves thickness: 2.5mm
 Coating thickness: 100 micron
 Color and Texture: RAL 7032 textured.
 Shelves Capacity: 800kg. / m2 of shelf

APPLICATIONS

Housing of Lead Acid Batteries for Power Systems such as UPS, DC, and Solar Systems.

DIMENSIONS

Height: 2000mm
 Width: 600 to 1200mm
 Depth: 600 to 1000mm

STANDARDS

IP 44 as per IEC 60529



- Metal Enclosure with Reversible Door.
- Powder Coated RAL 7032.
- Concealed Hinges and Safety Lock.
- Steel Mounting Plate Powder Coated.
- Cable Entry Opening with Gland Plate and Sealing Joint.
- For Installation of Electrical Protection and Control Components and Devices.
- Interior and Exterior Wall Mounting.
- Protection against Water and Dust. (IP65 & IP66)

SPECIFICATIONS OPTIONS

Box body thickness	1, 1.2 or 1.5mm
Door thickness	1.2, 1.5 or 2mm
Mounting plate thickness	1.5 or 2mm
Coating thickness	90 micron
Color and Texture	RAL 7032 textured RAL 2000 (Mounting plate)
Brush Finish	SS 304 or SS 316

DIMENSIONS

Height:	400 to 1400mm
Width:	300 to 1200mm
Depth:	200 to 350mm

APPLICATIONS

Final or Sub-main Electrical distribution in residential industrial and commercial buildings.

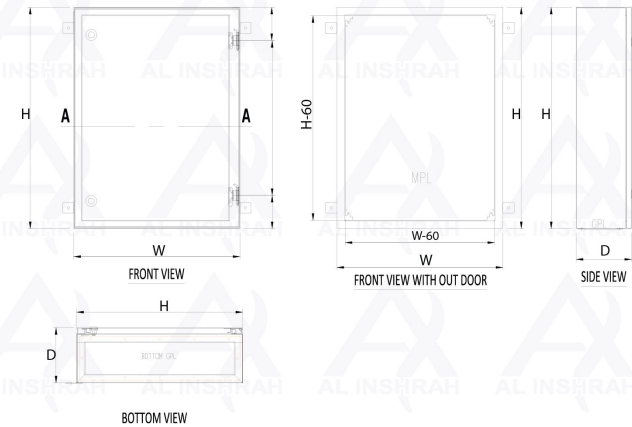
STANDARDS

IP 65 & IP 66

OPTIONS

The SISS is available in several options:
 SISS-S or SISS-SS in Stainless steel 304 or 316.
 SISS/D with Inner Door.
 SISS/C with Canopy.
 SISS/W with Polycarbonate Door.
 SISS/G with Top and Bottom Entries.

DRAWINGS



SELECTION CHART

REFERENCE	H mm	W mm	D mm	GPL No.	Doors No.	Locks No.
SISS403020	400	300	200	1	1	1
SISS604020	600	400	200	1	1	2
SISS606020	600	600	200	1	1	2
SISS705020	700	500	200	1	1	2
SISS806020	800	600	200	1	1	2
SISS808020	800	800	200	1	1	2
SISS108020	1000	800	200	1	1	2
SISS806025	800	600	250	1	1	2
SISS808025	800	800	250	1	1	2
SISS106025	1000	600	250	1	1	2
SISS108025	1000	800	250	1	1	2
SISS101025	1000	1000	250	2	1	2
SISS128025	1200	800	250	1	1	2
SISS808030	800	800	300	1	1	2
SISS108030	1000	800	300	1	1	2
SISS128030	1200	800	300	1	1	2
SISS121030	1200	1000	300	2	1	2
SISS148030	1400	800	300	1	1	2
SISS141030	1400	1000	300	2	1	2
SISS141230	1400	1200	300	2	2	3p
SISS121035	1200	1000	350	2	1	2
SISS121235	1200	1200	350	2	2	3p
SISS148035	1400	800	350	1	1	2
SISS141035	1400	1000	350	2	1	2
SISS141235	1400	1200	350	2	2	3p

Connecting the world
S I N C E 1 9 8 5



AL INSHRAH GROUP OF COMPANIES

AL INSHRAH INDUSTRY L.L.C.

AL INSHRAH ELECTRICAL WARE CO. LTD.

AL INSHRAH ENGINEERING ELECTRICAL LTD.

AL INSHRAH ADVERTISING PRODUCTION & DESIGN L.L.C.

P.O.BOX : 4408, SHARJAH, UAE
PHONE : +971 6 543 2807, +971 6 543 1179
FAX : +971 6 543 2806
EMAIL : INFO@ALINSHRA.COM
WEB : WWW.ALINSHRA.COM